

**MOTOR SPECIFICATION SHEET**

MODEL : CHHM10-6145-17 (HT) (Motor model : SF-JRG 10HP 4P)

USED FOR : GEAR MOTOR

DESCRIPTION	DETAIL				
PHASE	3				
MODEL NAME	CHHM10-6145-17				
RATED OUTPUT, HP (kW)	10 (7.5)				
POLE	4				
CODE	MEATH CODE : 1G1017-100H61451				
OUTLINE DRAWING NO.	OMM24O447-A				
RATED VOLTAGE (V)	380	415	380	440	
RATED FREQUENCY (Hz)	50	50	60	60	
RATED CURRENT (A)	15.5	14.5	15.0	13.4	
RATED SPEED (min <sup>-1</sup> ) *	84	85	101	102	
THERMAL CLASS	155(F)				
RATING	S1 (CONTINUOUS)				
ENCLOSURE CONSTRUCTION	TOTALLY ENCLOSED FAN COOLED				
DEGREES OF PROTECTION	IP55				
METHOD OF COOLING	IC411				
FRAME NO.	132S				
WEIGHT (kg)	94				
STANDARD	IEC 60034-1, JEC-2137-2000				
INSTALLATION	FOOT MOUNTED				
ROTATION	CCW (VIEWED FROM SHAFT END)				
BEARING	LOAD SIDE : 6308ZZ				
	OPPOSITE SIDE : 6207ZZ				
BEARING GREASE	UREA GREASE				
CIRCUMSTANCE CONDITION	AMBIENT TEMPERATURE : -20 ~ +40°C				
	AMBIENT HUMIDITY : 95%RH OR LESS				
	ABOVE SEA LEVEL : 1000m OR LESS				
	ENVIRONMENT : NO BURSTING/EROSIVE GAS OR VAPOR				
COLOR	MUNSELL N5.5 (GRAY)				
TERMINAL BOX	NO. OF LEAD WIRES : 6				
	SOURCE CONNECTION : TERMINAL BLOCK				
INSULATION RESISTANCE	BY DC 500V MEGGER - ≥100MΩ				
DIELECTRIC TEST	AC 50Hz 1800V - 1min. (Based on rated voltage 380V)				
GEAR RATIO	1 : 17				
GEAR LUBRICANT	OIL (Must be filled by user.)				
SERVICE FACTOR	1.60				
MATERIAL	FRAME : STEEL PLATE				
	BRACKET (GEAR SIDE) : CAST IRON				
	BRACKET (OPP SIDE) : ALUMINIUM				
	GEAR CASE : CAST IRON				
	SHAFT (MOTOR) : STEEL				
	SHAFT (GEAR OUTPUT) : STEEL				
	STATOR CORE : ELECTRICAL STEEL				
	WIRE : ENAMELLED COPPER MAGNET WIRE				
	INSULATOR : POLYESTER FILM SATURATED WITH RESIN				
	VARNISH : EPOXY DENATURALIZATION POLYESTER				
	ROTOR CORE : ELECTRICAL STEEL				
	CONDUCTOR : ALUMINIUM				
	TERMINAL BOX : STEEL PLATE				
PAINTING : POLYURETHANE RESIN					
PRODUCTION COUNTRY	THAILAND				

\* This value is calculated by MOTOR RATED SPEED / GEAR RATIO.

( Catalog value is specified by follow Gear maker specification, 50/60Hz = 85/103min<sup>-1</sup>. )

Specifications subject to change without notice.

SPECIFICATION SHEET NO.				
SS-M-2444-A				

**MODEL CHHM THREE PHASE INDUCTION MOTOR OUTLINE DRAWING**

**GEAR MOTOR**

**TOTALLY ENCLOSED FAN COOLED**

**DEGREES OF PROTECTION IP55**

**DUST & WATER JET PROOF**

**CUSTOMER**

**USER**

**FOR**

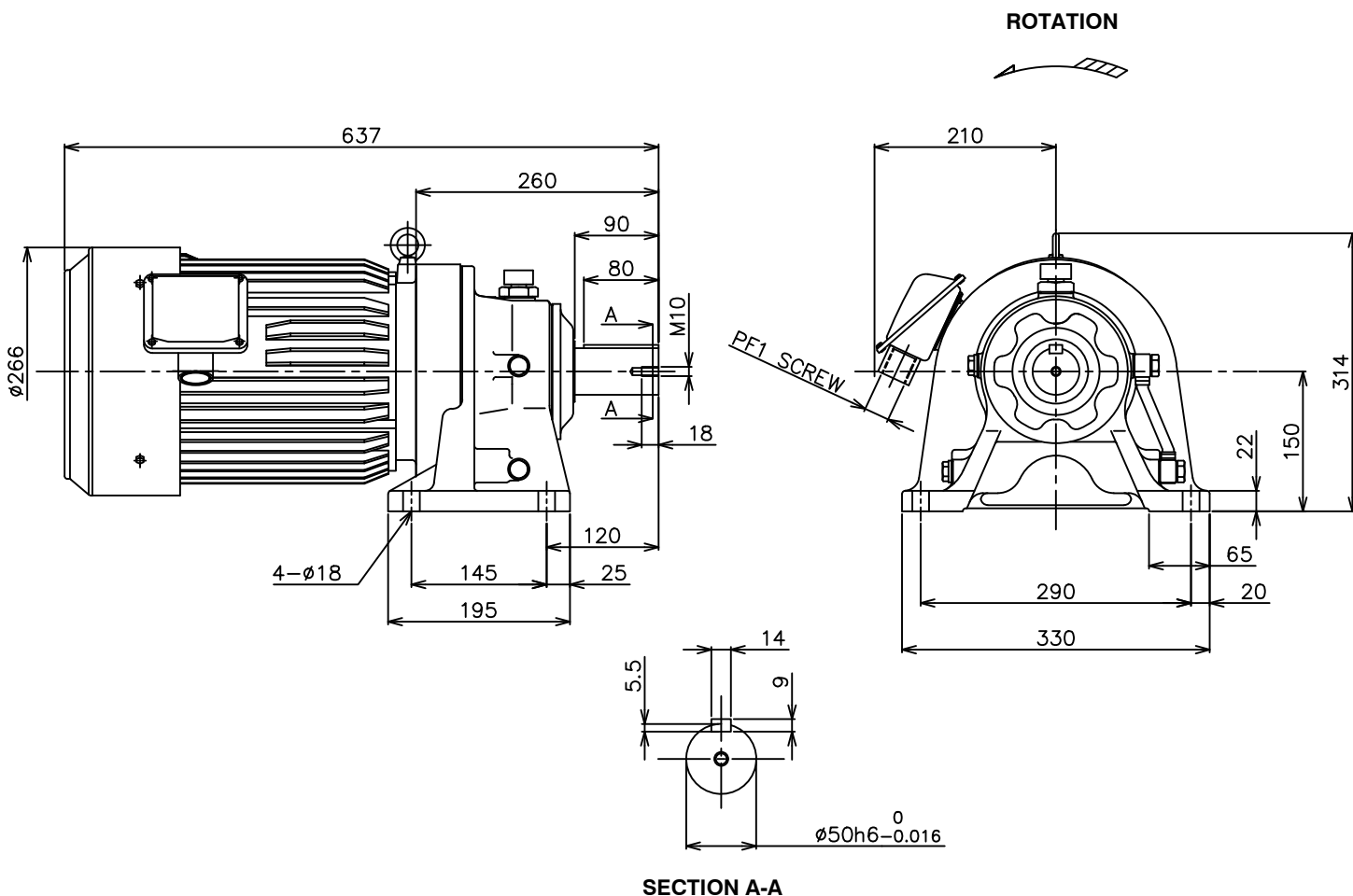
**CUSTOMER'S**

**ORDER NO.**

**QUANTITY**

**MFG.**

**ORDER NO.**



YOUR ORDER	MOTOR FRAME SIZE	RATING	TH. CLASS	AMB. TEMP	BEARINGS		COLOR	DIRECTION OF ROTATION	NO. OF LEAD WIRES	REMARKS
					LOAD SIDE	OPP. SIDE				
	132S	S1 (CONT.)	155(F)	40°C	6308ZZ	6207ZZ	GRAY (MUNSELL N5.5)	CCW	6	

YOUR ORDER	MODEL NAME	RATIO	SERVICE FACTOR	MOTOR OUTPUT		POLE	HERTZ	VOLT	OUTPUT SPEED (rpm)	LUBRICATION TYPE	WEIGHT (kg)
				HP	kW						
	CHHM10-6145-17	1:17	1.60	10	7.5	4	50	220/380/415	85	OIL (1)	94
							60	220/440	103		
	CHHM10-6145-21	1:21	1.27	10	7.5	4	50	220/380/415	69		
							60	220/440	83		
	CHHM10-6145-17	1:17	1.60	10	7.5	4	50	380/415	85		
							60	380/440	103		
	CHHM10-6145-21	1:21	1.27	10	7.5	4	50	380/415	69		
							60	380/440	83		

NOTE : (1) Please fill in Oil before first time usage (See detail in the Instruction Manual)

**MITSUBISHI ELECTRIC AUTOMATION (THAILAND) CO., LTD.**

	DIMENSION IN mm.	OUTLINE DRAWING NO.	REV.
	SCALE : NTS	<b>OMM240447</b>	<b>A</b>